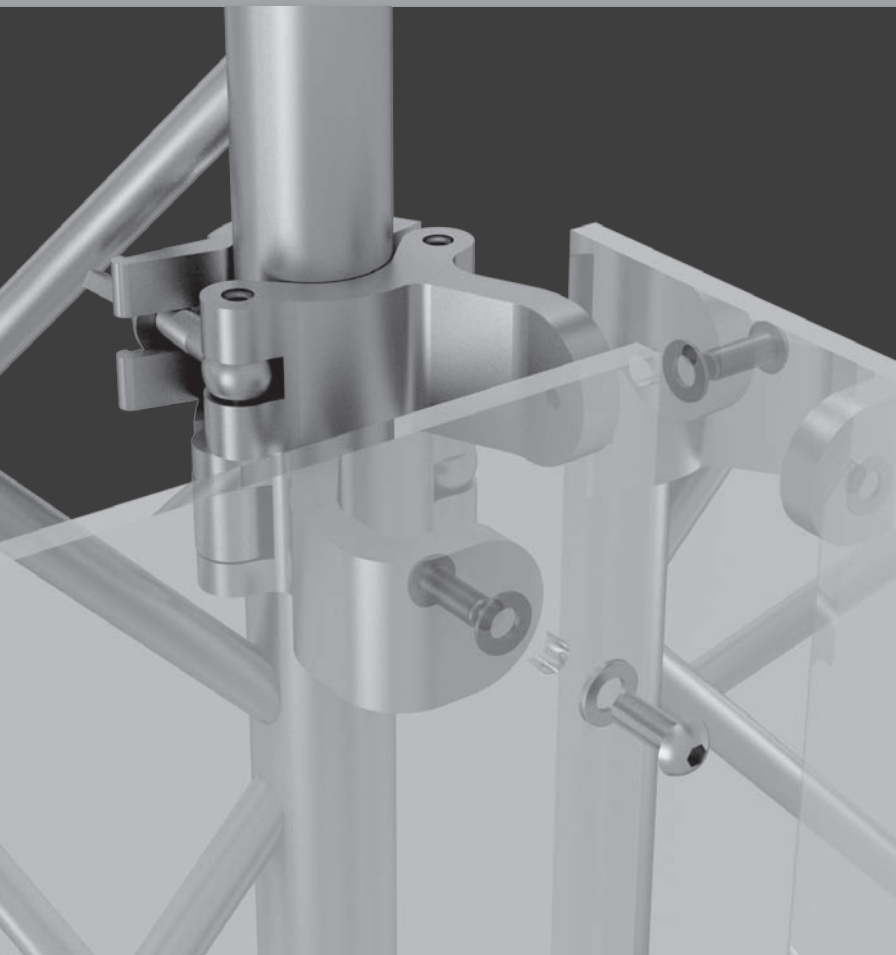


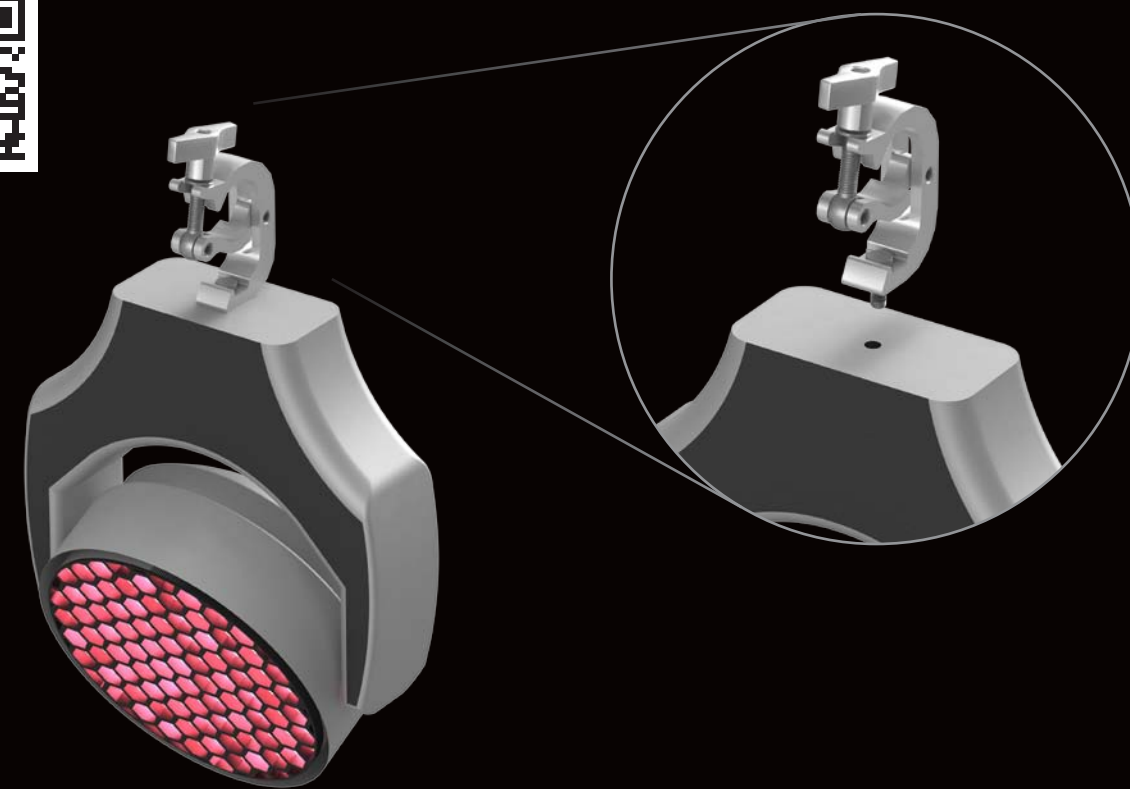
# Exhibit Clamps



TAF exhibit clamps are designed to accommodate your various needs when building up the exhibition booths with different types of walls. Exhibition clamps come out in two sizes one for 50mm tubes and one for 35mm tubes. This brings yet another variety to your planned designs. Exhibit clamps are made to be able to fix walls from different materials to the aluminium truss stands in order to create the proper exhibit or show design of your booth.

**TAF USA**  
 TAF USA, LLC  
 707 Samms Ave., Unit # M  
 PORT ORANGE  
 FL 32129  
 Call toll free # 1-877-556 1999  
 E-mail: sales@trussaluminium.com

**TAF CZECH REPUBLIC**  
 HEAD OFFICE and FACTORY:  
 Truss Aluminium Factory a.s.  
 Hodolany 1226  
 779 00 Olomouc  
 Czech Republic  
 Tel.: +420 588 500 834  
 Fax: +420 588 500 835  
 E-mail: sales@taf.cz



**#8021**  
 Exhibit clamp straight M8,  
 500kg (1100lbs), 48-51mm  
 (1.9-2.0"), FT31-TT74



**#8023**  
 Exhibit clamp bent M8,  
 500kg (1100lbs), 48-51mm  
 (1.9-2.0"), FT31-TT74



**#8024**  
 Exhibit clamp straight M8,  
 32-35mm (1.3-1.4")



**#8025**  
 Exhibit clamp bent M8,  
 32-35mm (1.3-1.4")



**#8035**  
 Exhibit clamp bent M8,  
 100kg (220lbs), 48-51mm  
 (1.9-2.0") FT31-TT74

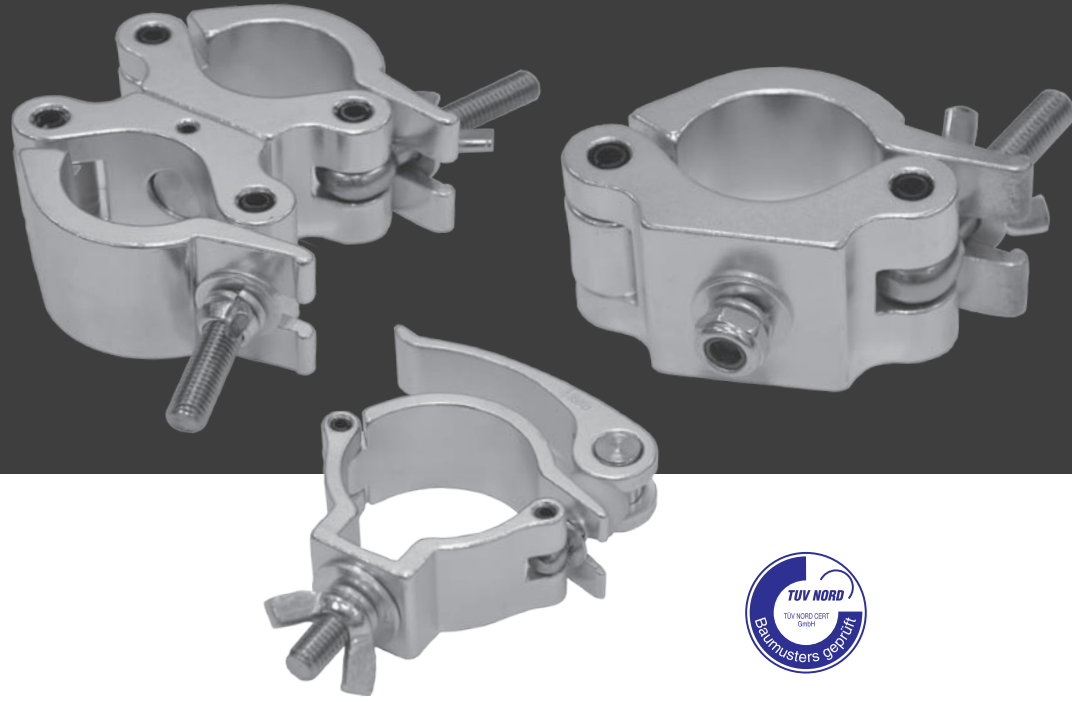


**#8036**  
 Exhibit clamp straight, 100kg  
 (220lbs), 48-51mm (1.9-2.0")  
 FT31-TT74

[www.trussaluminium.com](http://www.trussaluminium.com)

CLAMPS

# Clamps



We offer wide range of clamps for lighting and pipe fixture to the truss. TAF clamps have great design, good looking finish and are TÜV certified. These products belong to must-have accessories for any successful rigger, truss designer or lighting professional. Clamps are standardly available in aluminium finish and black powder coating.



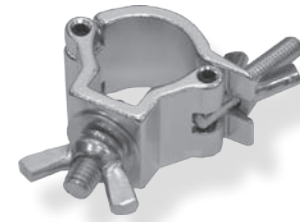
**#8001-B**  
Halfcoupler M10 Black, 500kg (1100lbs), 48-51mm (1.9-2.0") FT31-TT74



**#8002**  
Halfcoupler M10, 200kg (440lbs), 48-51mm (1.9-2.0"), FT31-TT74



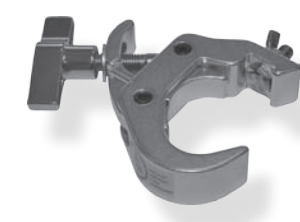
**#8002-B**  
Halfcoupler M10 Black, 200kg (440lbs), 48-51mm (1.9-2.0") FT31-TT74



**#8014**  
Halfcoupler, 10kg (22lbs), 18-20mm (0.8") FT14



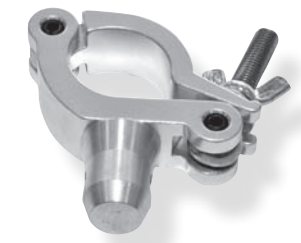
**#8015**  
Swivel Coupler Slim, 100kg (220lbs), 48-51mm (1.9-2.0"), FT31-TT74



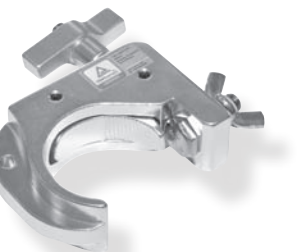
**#8016**  
Quick Selflock Coupler, 250kg (551lbs), 48-51mm (1.9-2.0"), FT31-TT74



**#8029**  
Light Hook Coupler, 75kg (165lbs), 32-35mm (1.3-1.4") FT21-FT24



**#8031**  
Side Clamp Slim+halfcon. 300kg (660lbs), 48-51mm (1.9-2.0") FT31-TT74



**#8032**  
Light Hook Coupler, 250kg (551lbs), 48-51mm (1.9-2.0") FT31-TT74



**#8003**  
Swivel Coupler, 500kg (1100lbs), 48-51mm (1.9-2.0"), FT31-TT74



**#8003-B**  
Swivel Coupler Black, 500kg (1100lbs), 48-51mm (1.9-2.0") FT31-TT74



**#8004**  
C-clamp M10, 250kg (551lbs), 48-51mm (1.9-2.0"), FT31-TT74



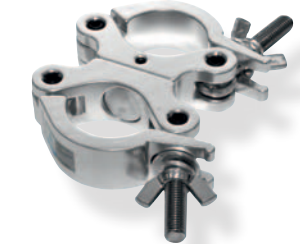
**#8016-B**  
Quick Selflock Coupler Black, 250kg (551lbs), 48-51mm (1.9-2.0") FT31-TT74



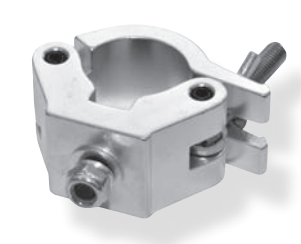
**#8017**  
Halfcoupler M10 + Eye Bolt, 200kg (440lbs), 48-51mm (1.9-2.0"), FT31-TT74



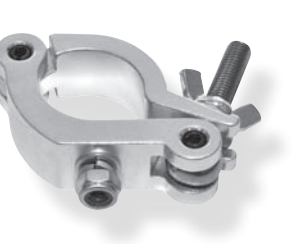
**#8018**  
Halfcoupler M10 + Halfconnector



**#8033**  
Swivel Coupler Slim 200kg (440lbs), 48-51mm (1.9-2.0") FT31-TT74



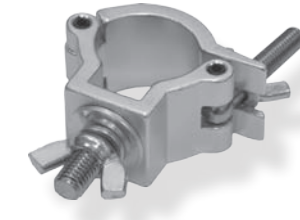
**#8034**  
Halfcoupler M12, 750kg (1650lbs), 48-51mm (1.9-2.0") FT31-TT74



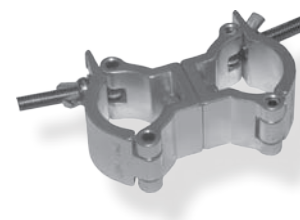
**#8037**  
Side Clamp Slim 300kg (660lbs), 48-51mm (1.9-2.0") FT31-TT74



**#8004-B**  
C-clamp M10 Black, 250kg (551lbs), 48-51mm (1.9-2.0") FT31-TT74



**#8005**  
Halfcoupler M8, 75kg (165lbs), 32-35mm (1.3-1.4") FT21-FT24



**#8006**  
Swivel Coupler, 50kg (110lbs), 32-35mm (1.3-1.4") FT21-FT24



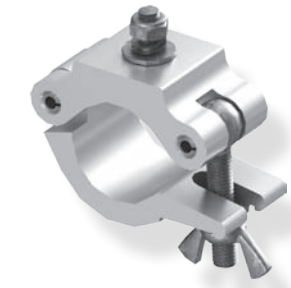
**#8019**  
Stabiliser Clamp 48-51mm (1.9-2.0"), for 50x4mm+48x3mm pipes



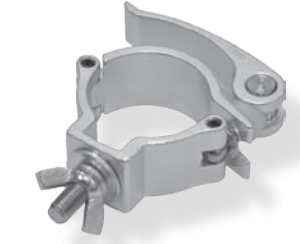
**#8020**  
Side Clamp, 48-51mm (1.9-2.0"), FT31-TT74



**#8022**  
Key for clamps



**#8001**  
Halfcoupler M10, 500kg (1100lbs), 48-51mm (1.9-2.0"), FT31-TT74



**#8007**  
Quick Halfcoupler, 100kg (220lbs), 48-51mm (1.9-2.0"), FT31-TT74



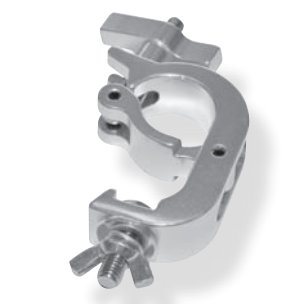
**#8011**  
Halfcoupler Slim, 100kg (220lbs), 48-51mm (1.9-2.0"), FT31-TT74



**#8011-B**  
Halfcoupler Slim Black, 100kg (220lbs), 48-51mm (1.9-2.0") FT31-TT74



**#8026**  
Swivel Coupler, 10kg (22lbs), 18-20mm (0.8") FT14



**#8027**  
C-clamp M8, 75kg (165lbs), 32-35mm (1.3-1.4") FT21-FT24



**#8028**  
Halfcoupler 200kg (440lbs), 32-35mm (1.3-1.4") FT21-FT24