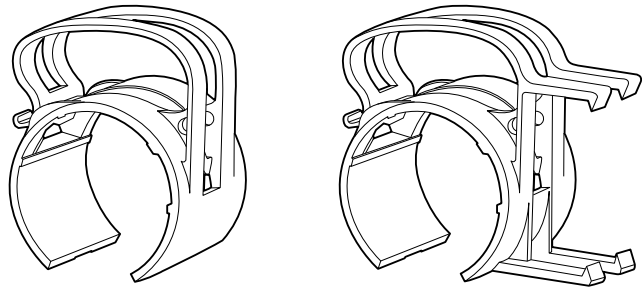
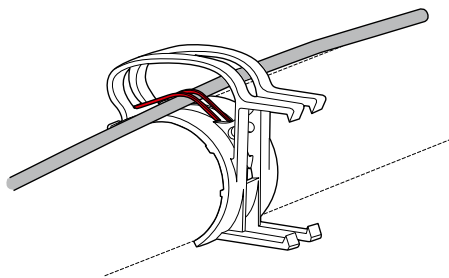


## Snap Clamp



### CABLE ROUTING

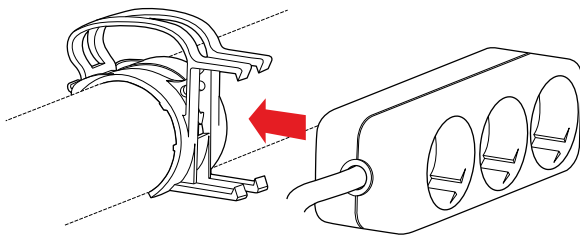


The snap holds cables up to a total cross-section of approx. 950 mm<sup>2</sup>.

The cable clamp is lockable with one hand. Easy installation and removal of cables via locking hook on one side (possible with one hand)

An optional rubber ring (O-ring) holds down individual cables directly on the chord tube.

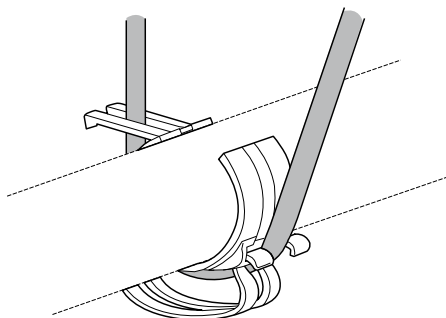
### POWER SOCKET HOLDER



The clamp permits easy clapping of the most popular multiple power socket strips. No interference with the sockets.

90° opening of the clamp for the power socket holder, so that plugs can be pulled out with one hand without detaching the clamp from the tube. Possible to use multiple SNAPS for long power socket strips

### ABRASION PROTECTION



Non-slip abrasion protection between truss and suspension element.

The divided clamp to hold suspension elements, wire cables with a diameter of up to 10 mm.