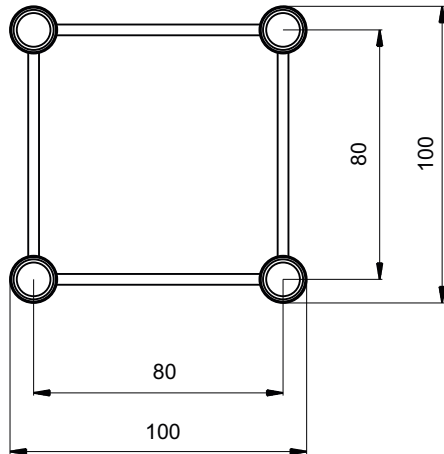
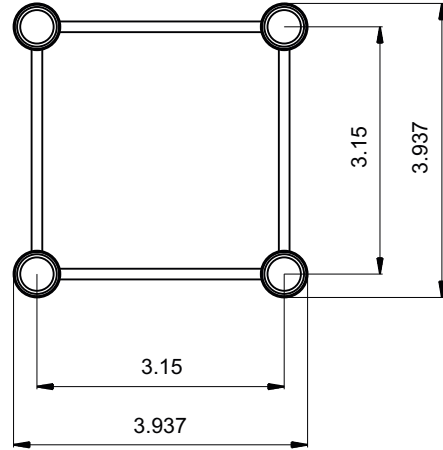


SIZE IN MILLIMETRS



SIZE IN INCHES



SPECIFICATIONS

TUBES	20x2 (0.8 x 0.08inch)
BRACES	6mm (0.24inch)
ALLOY	EN-AW 6082 T6



STRAIGHT SEGMENT LENGTHS

CODE	LENGTH		WEIGHT	
FT14-50	0.5m	1.64ft	0.9kg	2.07lbs
FT14-100	1m	3.28ft	1.7kg	3.77lbs
FT14-150	1.5m	4.92ft	2.5kg	5.57lbs
FT14-200	2m	6.56ft	3.3kg	7.35lbs
FT14-250	2.5m	8.20ft	4.1kg	9.15lbs
FT14-300	3m	9.84ft	5.0kg	10.94lbs

LOADING TABLES

	2m	4m	6m	8m	10m
Distrib. Load [kg/m]	220	61	29	14	9
Deflection [mm]	12.1	41.5	91.7	155.7	261.1
Point load [kg]	147	93	69	52	44
Deflection [mm]	6.4	25.4	60.5	118.5	196.5
	6.56ft	13.12ft	19.68ft	26.24ft	32.81ft
Distrib. Load [lb/ft]	147.9	41	19.5	9.4	6
Deflection [inch]	0.5	1.6	3.6	6.1	10.3
Point load [lb]	324.1	205.1	152.1	114.7	97
Deflection [inch]	0.3	1	2.4	4.7	7.7