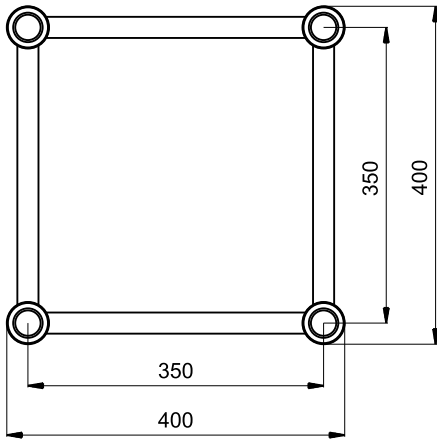
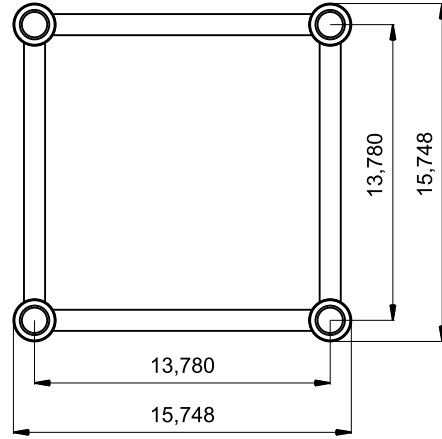


SIZE IN MILLIMETRS



SIZE IN INCHES



SPECIFICATIONS FT44

TUBES	50x2mm (2 x 0.08inch)
BRACES	25x3mm (1 x 0.12inch)
ALLOY	EN-AW 6082 T6



STRAIGHT SEGMENT LENGTHS FT44

CODE	LENGTH		WEIGHT	
FT44-50	0.5m	1.64ft	5.0kg	11.05lbs
FT44-100	1m	3.28ft	8.4kg	18.48lbs
FT44-150	1.5m	4.92ft	11.3kg	24.96lbs
FT44-200	2m	6.56ft	14.1kg	31.11lbs
FT44-250	2.5m	8.20ft	17.0kg	37.49lbs
FT44-300	3m	9.84ft	20.3kg	44.67lbs
FT44-350	3.5m	11.48ft	23.1kg	50.85lbs
FT44-400	4m	13.12ft	26.1kg	57.57lbs
FT44-450	4.5m	14.76ft	28.8kg	63.50lbs
FT44-500	5m	16.40ft	32.0kg	70.58lbs

LOADING TABLES FT44

	2m	4m	6m	8m	10m	12m	14m	16m
Distrib. Load [kg/m]	1805	595	274	163	106	73	52	38
Deflection [mm]	1.5	7.8	18.4	35.2	57.3	83.5	114.9	151.1
Point load [kg]	1805	1190	823	653	532	436	364	304
Deflection [mm]	1.2	6.2	14.8	28.5	46.6	68.4	94.7	124.5
	6.56ft	13.12ft	19.68ft	26.24ft	32.81ft	37.37ft	45.93ft	52.49ft
Distrib. Load [lb/ft]	1213.1	399.9	184.1	109.5	71.2	49.1	34.9	25.5
Deflection [inch]	0.1	0.3	0.7	1.4	2.3	3.3	4.5	5.9
Point load [lb]	3980	2624	1814.7	1439.9	1173.1	961.4	802.6	670.3
Deflection [inch]	0.05	0.2	0.6	1.1	1.8	2.7	3.7	4.9