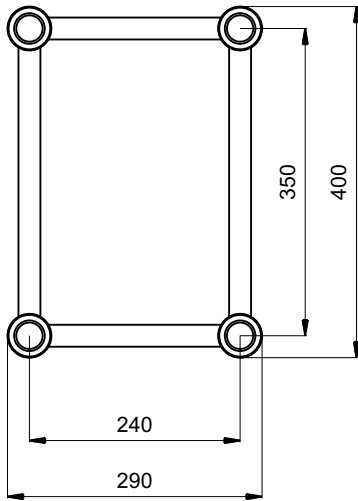
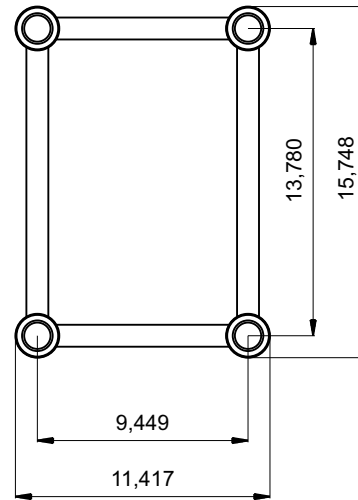


SIZE IN MILLIMETRS



SIZE IN INCHES



SPECIFICATIONS

TUBES	50x3mm (2 x 0.12inch)
BRACES	25x3mm (1 x 0.12inch)
ALLOY	EN-AW 6082 T6



STRAIGHT SEGMENT LENGTHS

CODE	LENGTH		WEIGHT	
FTR4030-50	0.5m	1.64ft	6.4kg	14.02lbs
FTR4030-100	1m	3.28ft	10.1kg	22.28lbs
FTR4030-150	1.5m	4.92ft	13.4kg	29.53lbs
FTR4030-200	2m	6.56ft	16.6kg	36.62lbs
FTR4030-250	2.5m	8.20ft	19.9kg	43.82lbs
FTR4030-300	3m	9.84ft	23.9kg	52.64lbs
FTR4030-350	3.5m	11.48ft	26.8kg	59.06lbs
FTR4030-400	4m	13.12ft	30.1kg	66.43lbs

LOADING TABLES

	6m	8m	10m	12m	14m	16m	18m
Distrib. Load [kg/m]	464	261	167	115	85	63	47
Deflection [mm]	20.9	37.5	59.2	85.8	119.3	154.1	190
Point load [kg]	1392	1045	833	688	592	501	421
Deflection [mm]	16.8	30.2	47.7	69.5	97	126	156.3
	19.68ft	26.24ft	32.81ft	37.37ft	45.93ft	52.49ft	59.05ft
Distrib. Load [lb/ft]	311.8	175.4	112.2	77.3	57.1	42.3	31.6
Deflection [inch]	0.8	1.5	2.3	3.4	4.7	6.1	7.5
Point load [lb]	3069.4	2304.2	1836.8	1517	1305.4	1104.7	928.3
Deflection [inch]	0.7	1.2	1.9	2.7	3.8	5	6.2