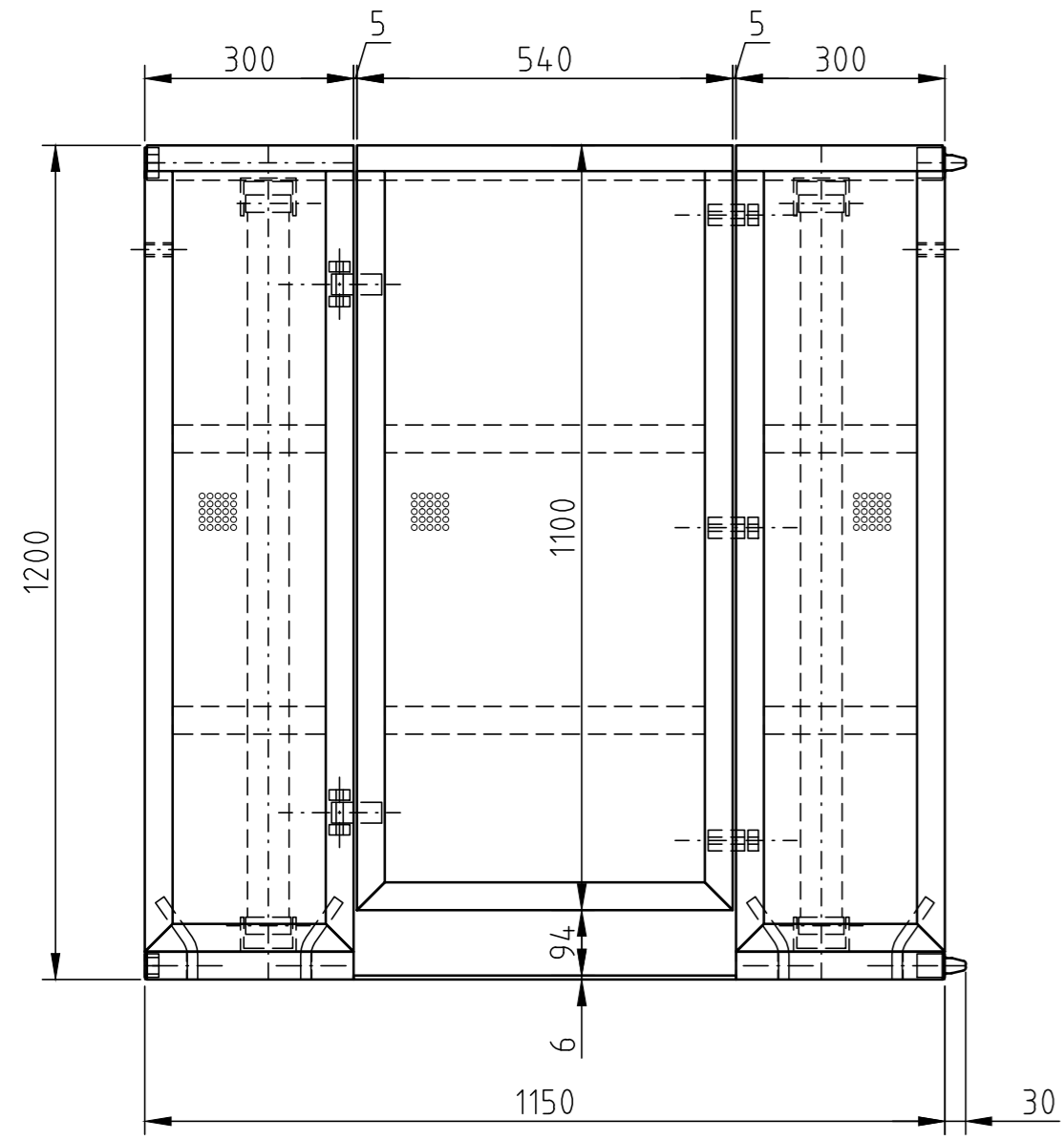
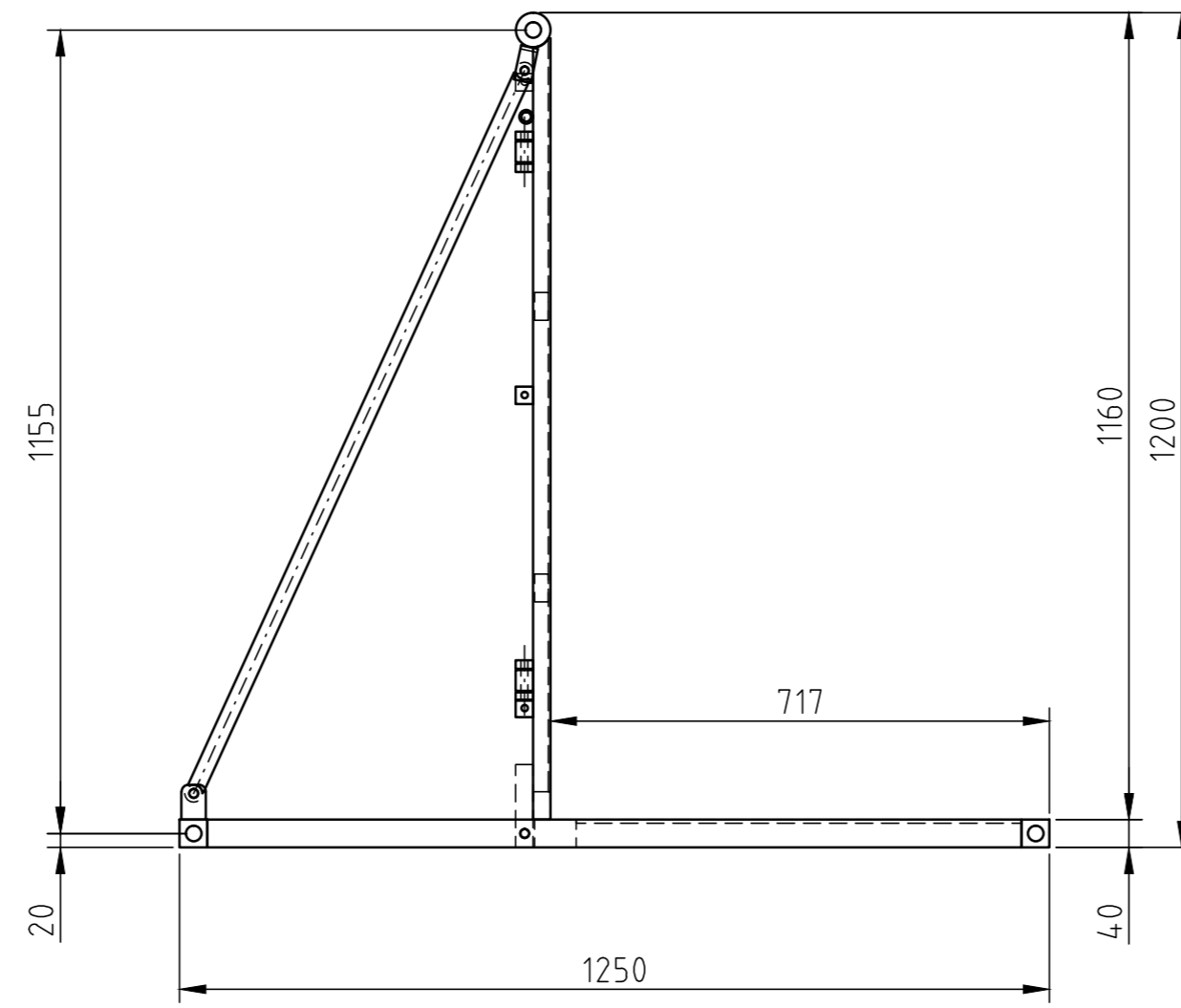


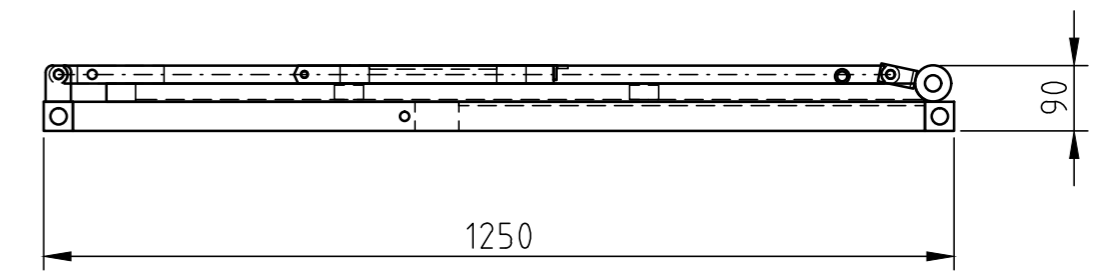
FRONT VIEW



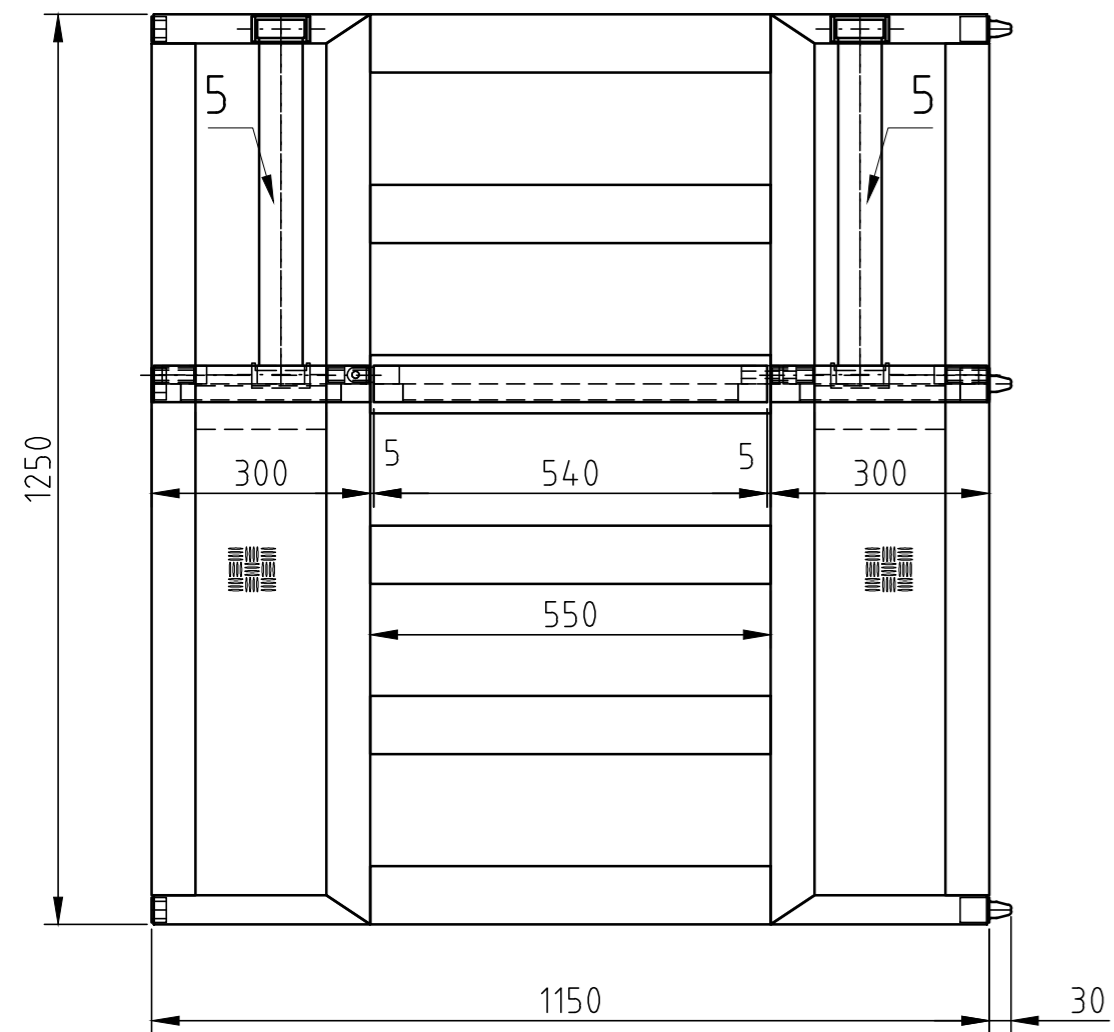
SIDE VIEW



TRANSPORT POSITION



GROUND PLAN



BARRIER BR1-G