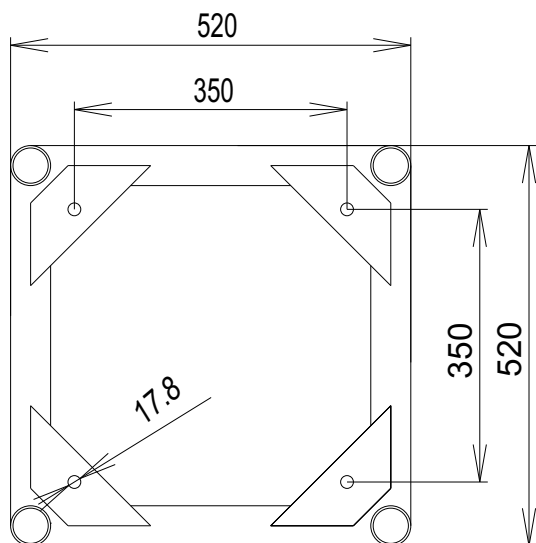
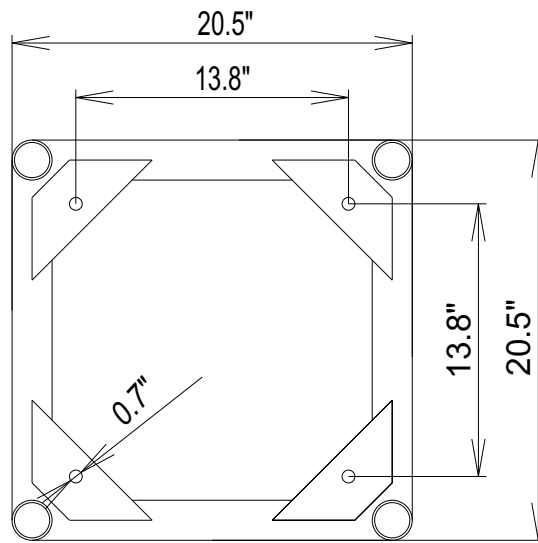


SIZE IN MILLIMETERS



SIZE IN INCHES



SPECIFICATIONS

TUBES	50x3mm (2 x 0.12inch)
BRACES	25x3mm (1 x 0.12inch)
ALLOY	EN-AW 6082 T6



STRAIGHT SEGMENT LENGTHS

CODE	LENGTH		WEIGHT	
	m	ft	kg	lbs
FTB-M-5	1.524m	5.00ft	30.8kg	67.76lbs
FTB-M-8	2.438m	8.00ft	42kg	92.4lbs
FTB-M-10	3.048m	10.00ft	51.4kg	113.08lbs

LOADING TABLES

	1.52m	3.05m	4.57m	6.1m	7.6m	9.14m	12.2m
Distrib. Load [kg/m]	2324	1150	694	382	239	162	84
Deflection [mm]	0.2	2	6.2	11.1	17.3	24.9	44.8
Point load [kg]	2879	2251	1585	1166	912	739	512
Deflection [mm]	0.4	2.4	5.7	10.1	15.9	22.9	41.2
	5ft	10ft	15ft	20ft	25ft	30ft	40ft
Distrib. Load [lb/ft]	1562	773	466	257	161	109	57
Deflection [inch]	0.01	0.1	0.2	0.4	0.7	1	1.8
Point load [lb]	6348	4964	3495	2571	2011	1630	1129
Deflection [inch]	0.02	0.1	0.2	0.4	0.6	0.9	1.6