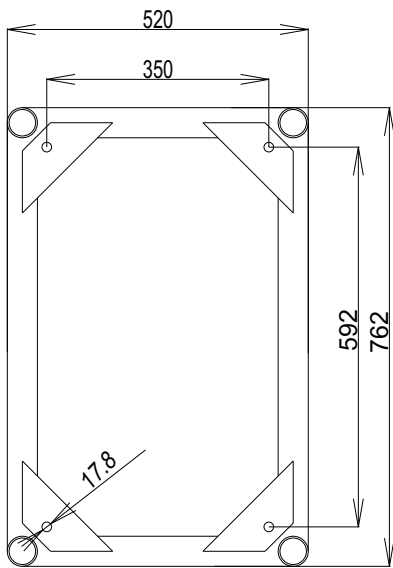
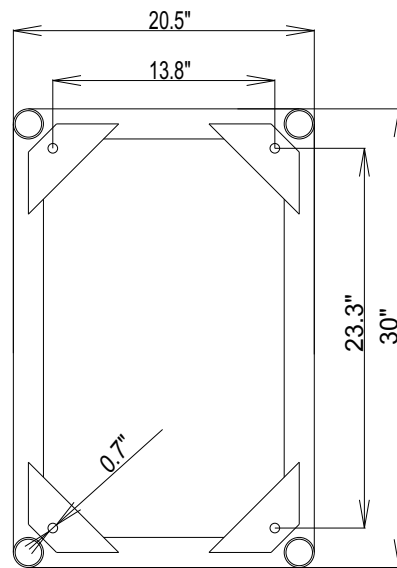


SIZE IN MILLIMETERS



SIZE IN INCHES



SPECIFICATIONS

TUBES	50x3mm (2 x 0.12inch)
BRACES	25x3mm (1 x 0.12inch)
ALLOY	EN-AW 6082 T6



STRAIGHT SEGMENT LENGTHS

CODE	LENGTH		WEIGHT	
FTB-H-5	1.524m	5.00ft	30.5kg	67.1lbs
FTB-H-8	2.438m	8.00ft	40.2kg	88.44lbs
FTB-H-10	3.048m	10.00ft	48.7kg	107.4lbs

LOADING TABLES

	1.52m	3.05m	4.57m	6.1m	7.6m	9.14m	12.2m
Distrib. Load [kg/m]	1982	980	649	482	382	272	145
Deflection [mm]	0.1	0.8	2.5	6	11.8	17.6	31.5
Point load [kg]	3013	2989	2594	1922	1516	1241	887
Deflection [mm]	0.2	1.4	4	7.2	11.2	16.2	29
	5ft	10ft	15ft	20ft	25ft	30ft	40ft
Distrib. Load [lb/ft]	1332	659	436	324	257	183	97
Deflection [inch]	0.01	0.03	0.1	0.2	0.5	0.7	1.2
Point load [lb]	6644	6591	5720	4238	3343	2736	1956
Deflection [inch]	0.01	0.1	0.2	0.3	0.4	0.6	1.1