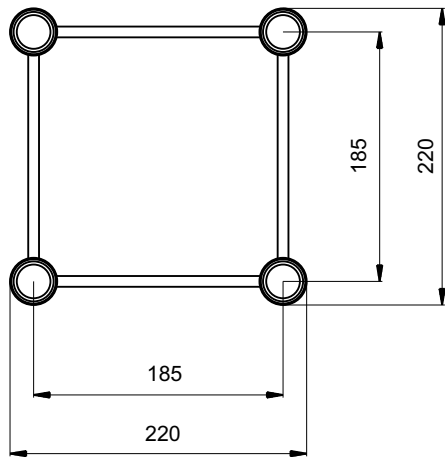
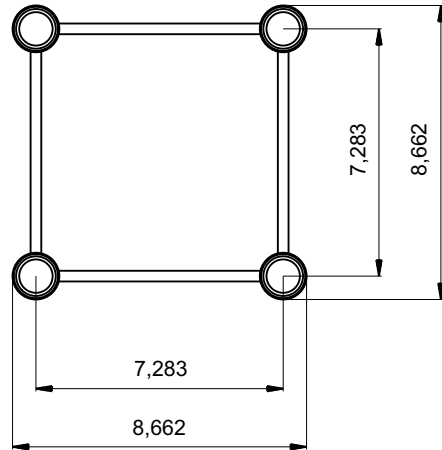


SIZE IN MILLIMETERS



SIZE IN INCHES



SPECIFICATIONS

TUBES	35x2 (1.4 x 0.08inch)
BRACES	8mm (0.3inch)
ALLOY	EN-AW 6060 T66



STRAIGHT SEGMENT LENGTHS

CODE	LENGTH		WEIGHT	
	m	ft	kg	lbs
FT24-50	0.5m	1.64ft	1.8kg	4.06lbs
FT24-100	1m	3.28ft	2.6kg	5.80lbs
FT24-150	1.5m	4.92ft	4.8kg	10.61lbs
FT24-200	2m	6.56ft	6.4kg	14.05lbs
FT24-250	2.5m	8.20ft	7.9kg	17.32lbs
FT24-300	3m	9.84ft	9.3kg	20.61lbs
FT24-350	3.5m	11.48ft	11.0kg	24.16lbs
FT24-400	4m	13.12ft	12.4kg	27.30lbs

LOADING TABLES

	2m	3m	4m	6m	8m	10m
Distrib. Load [kg/m]	202	134	100	65	35	21
Deflection [mm]	0.9	2.9	6.9	23.1	41.3	64.8
Point load [kg]	405	354	286	195	141	107
Deflection [mm]	1.4	4.1	7.9	18.7	33.7	53.6
	6.56ft	9.84ft	13.12ft	19.68ft	26.24ft	32.81ft
Distrib. Load [lb/ft]	135.8	90.1	67.2	43.7	23.5	14.1
Deflection [inch]	0	0.1	0.3	0.9	1.6	2.6
Point load [lb]	893	780.6	630.6	430	310.9	235.9
Deflection [inch]	0.1	0.2	0.3	0.7	1.3	2.1