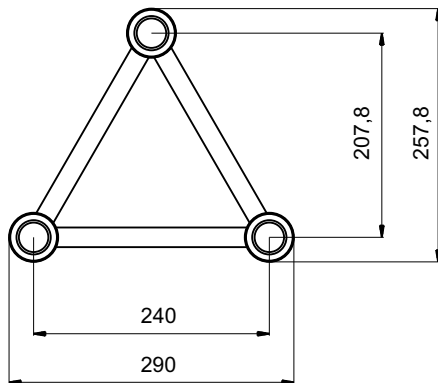
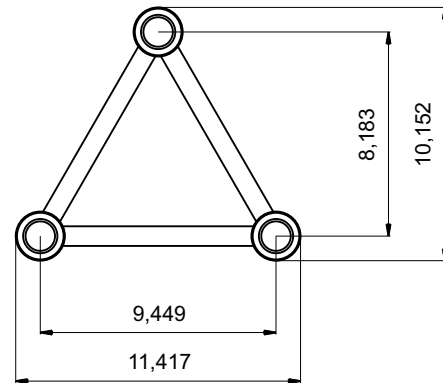


### SIZE IN MILLIMETERS



### SIZE IN INCHES



### SPECIFICATIONS HT33

TUBES	50x3mm (2 x 0.12inch)
BRACES	20x2mm (0.8 x 0.08inch)
ALLOY	EN-AW 6082 T6



### STRAIGHT SEGMENT LENGTHS HT33

CODE	LENGTH		WEIGHT	
HT33-50	0.5m	1.64ft	3.3kg	7.23lbs
HT33-75	0.75m	2.46ft	4.4kg	9.68lbs
HT33-87,5	0.875m	2.87ft	4.4kg	9.70lbs
HT33-100	1m	3.28ft	5.5kg	12.22lbs
HT33-125	1.25m	4.10ft	6.8kg	14.93lbs
HT33-150	1.5m	4.92ft	7.9kg	17.40lbs
HT33-200	2m	6.56ft	10.2kg	22.58lbs
HT33-250	2.5m	8.20ft	12.6kg	27.76lbs
HT33-300	3m	9.84ft	15.0kg	32.96lbs
HT33-350	3.5m	11.48ft	17.3kg	38.15lbs
HT33-400	4m	13.12ft	19.7kg	43.33lbs
HT33-450	4.5m	14.76ft	22.0kg	48.51lbs
HT33-500	5m	16.40ft	24.4kg	53.69lbs

### LOADING TABLES HT33

	2m	4m	6m	8m	10m	12m
Distrib. Load [kg/m]	1231	338	150	81	50	32
Deflection [mm]	2.9	12.8	29.4	51.7	80.6	112.7
Point load [kg]	1321	675	450	324	249	190
Deflection [mm]	2.5	10.3	23.7	42.1	66.1	93.5
	<b>6.56ft</b>	<b>13.12ft</b>	<b>19.68ft</b>	<b>26.24ft</b>	<b>32.81ft</b>	<b>37.37ft</b>
Distrib. Load [lb/ft]	827.3	227.2	100.8	54.4	33.6	21.5
Deflection [inch]	0.1	0.5	1.2	2	3.2	4.4
Point load [lb]	2912.8	1488.4	992.3	714.4	549	419
Deflection [inch]	0.1	0.4	0.9	1.7	2.6	3.7