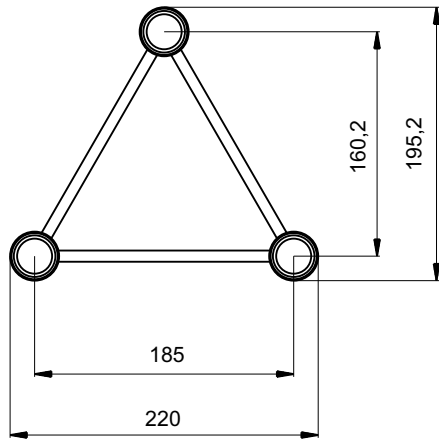
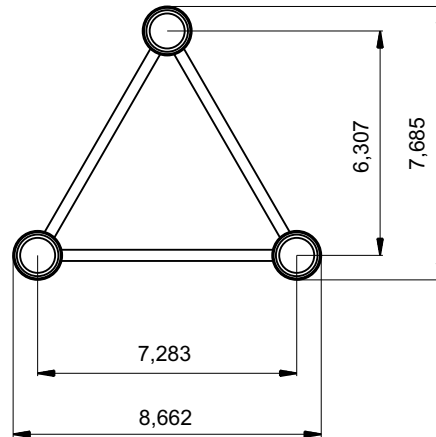


SIZE IN MILLIMETERS



SIZE IN INCHES



SPECIFICATIONS

TUBES	35x2 (1.4 x 0.08inch)
BRACES	8mm (0.3inch)
ALLOY	EN-AW 6060 T66



STRAIGHT SEGMENT LENGTHS

CODE	LENGTH		WEIGHT	
	m	ft	kg	lbs
FT23-50	0.5m	1.64ft	1.4kg	3.04lbs
FT23-75	0.75m	2.46ft	2.1kg	4.58lbs
FT23-100	1m	3.28ft	2.5kg	5.50lbs
FT23-125	1.25m	4.10ft	3.2kg	6.97lbs
FT23-150	1.5m	4.92ft	3.6kg	7.96lbs
FT23-200	2m	6.56ft	4.8kg	10.54lbs
FT23-250	2.5m	8.20ft	5.9kg	12.99lbs
FT23-300	3m	9.84ft	7.0kg	15.46lbs
FT23-325	3.25m	10.66ft	7.8kg	17.22lbs
FT23-350	3.5m	11.48ft	8.2kg	18.12lbs
FT23-375	3.75m	12.30ft	8.9kg	19.71lbs
FT23-400	4m	13.12ft	9.3kg	20.47lbs

LOADING TABLES

	2m	3m	4m	6m	8m	10m
Distrib. Load [kg/m]	175	114	64	27	14	8
Deflection [mm]	1.5	4.9	8.9	20.1	36	56.8
Point load [kg]	262	171	127	81	56	41
Deflection [mm]	1.8	4	7.2	16.5	30	48.3
	6.56ft	9.84ft	13.12ft	19.68ft	26.24ft	32.81ft
Distrib. Load [lb/ft]	117.6	76.6	43	18.1	9.4	5.4
Deflection [inch]	0.1	0.2	0.4	0.8	1.4	2.2
Point load [lb]	577.7	377.1	280	178.6	123.5	90.4
Deflection [inch]	0.1	0.2	0.3	0.6	1.2	1.9