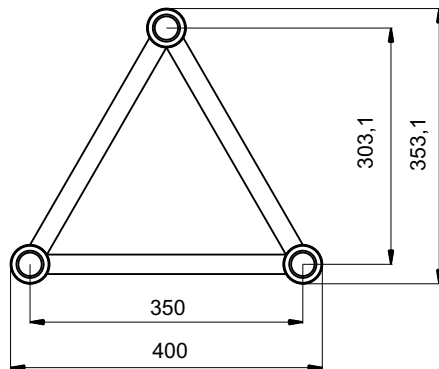
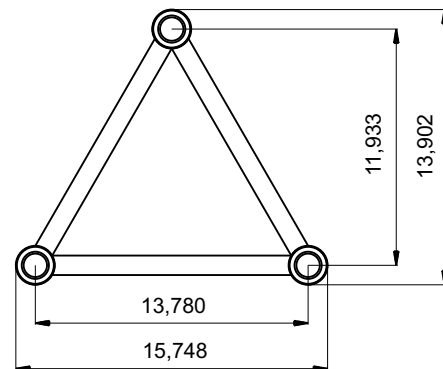


SIZE IN MILLIMETERS



SIZE IN INCHES



SPECIFICATIONS HT43

TUBES	50x3mm (2 x 0.12inch)
BRACES	25x3mm (1 x 0.12inch)
ALLOY	EN-AW 6082 T6



STRAIGHT SEGMENT LENGTHS HT43

CODE	LENGTH		WEIGHT	
HT43-50	0.5m	1.64ft	4.2kg	9.17lbs
HT43-75	0.75m	2.46ft	5.7kg	12.66lbs
HT43-87.5	0.875m	2.87ft	6.3kg	13.94lbs
HT43-100	1m	3.28ft	7.3kg	16.01lbs
HT43-125	1.25m	4.10ft	8.3kg	18.36lbs
HT43-150	1.5m	4.92ft	10.0kg	22.12lbs
HT43-200	2m	6.56ft	12.7kg	28.00lbs
HT43-250	2.5m	8.20ft	15.4kg	34.02lbs
HT43-300	3m	9.84ft	18.4kg	40.66lbs
HT43-350	3.5m	11.48ft	21.2kg	46.70lbs
HT43-400	4m	13.12ft	24.0kg	52.88lbs
HT43-450	4.5m	14.76ft	26.6kg	58.56lbs
HT43-500	5m	16.40ft	29.5kg	65.14lbs

LOADING TABLES HT43

	2m	4m	6m	8m	10m	12m	14m	16m
Distrib. Load [kg/m]	1412	457	212	119	75	51	34	25
Deflection [mm]	1.6	8.1	19.4	35.3	56.2	81.9	108.8	140.9
Point load [kg]	1412	913	636	475	375	304	241	207
Deflection [mm]	1.2	6.5	15.7	28.6	45.9	67.5	90.7	123.7
	6.56ft	13.12ft	19.68ft	26.24ft	32.81ft	37.37ft	45.93ft	52.49ft
Distrib. Load [lb/ft]	948.9	307.1	142.5	80	50.4	34.3	22.8	16.8
Deflection [inch]	0.1	0.3	0.8	1.4	2.2	3.2	4.3	5.5
Point load [lb]	3113.5	2013.2	1402.4	1047.4	826.9	670.3	531.4	456.4
Deflection [inch]	0.05	0.3	0.6	1.1	1.8	2.7	3.6	4.9