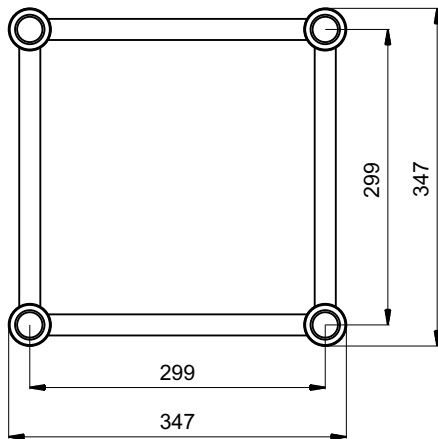
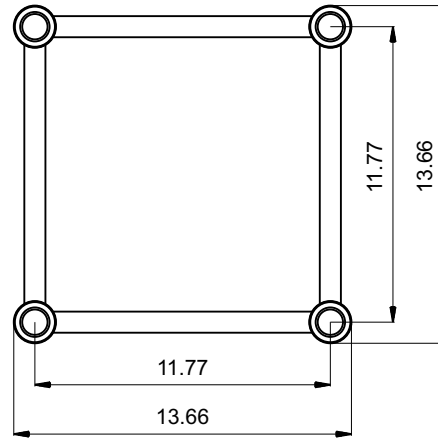


## SIZE IN MILLIMETERS



## SIZE IN INCHES



## SPECIFICATIONS

TUBES	48x4.5mm (1.89 x 0.18inch)
BRACES	25x3mm (1 x 0.12inch)
ALLOY	EN-AW 6082 T6



## STRAIGHT SEGMENT LENGTHS

CODE	LENGTH		WEIGHT	
	m	ft	kg	lbs
GS350-2FT	0.609m	2.00ft	8.4kg	18.42lbs
GS350-4FT	1.219m	4.00ft	15.2kg	33.44lbs
GS350-6FT	1.828m	6.00ft	21.0kg	46.21lbs
GS350-8FT	2.438m	8.00ft	26.3kg	58.02lbs
GS350-10FT	3.048m	10.00ft	32.4kg	71.55lbs
GS350-12FT	3.657m	12.00ft	38.1kg	84.03lbs
GS350-14FT	4.267m	14.00ft	43.3kg	95.55lbs

## LOADING TABLES

	4m	6m	8m	10m	12m	14m	16m
Distrib. Load [kg/m]	995	436	240	150	100	71	52
Deflection [mm]	9.2	20.7	36.8	57.7	83.3	113.9	149.4
Point load [kg]	1991	1308	961	748	603	495	412
Deflection [mm]	8.4	18.9	33.7	52.9	76.5	104.8	137.8
	<b>13.12ft</b>	<b>19.68ft</b>	<b>26.24ft</b>	<b>32.81ft</b>	<b>37.37ft</b>	<b>45.93ft</b>	<b>52.49ft</b>
Distrib. Load [lb/ft]	669	293	161	101	67	48	35
Deflection [inch]	0.4	0.8	1.4	2.3	3.3	4.5	5.9
Point load [lb]	4390	2884	2119	1649	1330	1092	909
Deflection [inch]	0.3	0.7	1.3	2.1	3	4.1	5.4