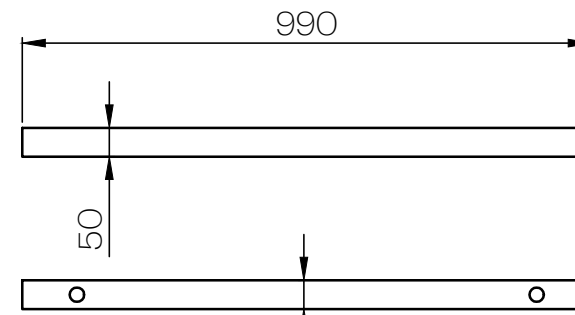
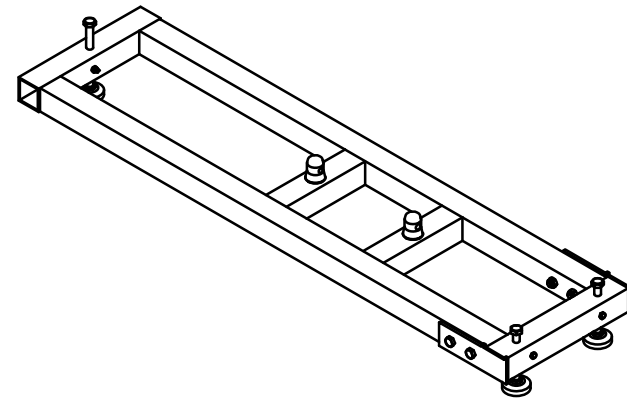
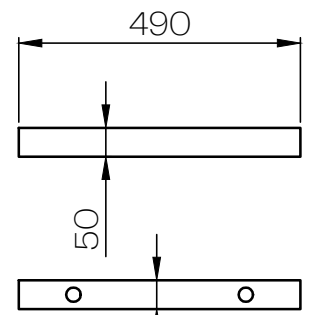


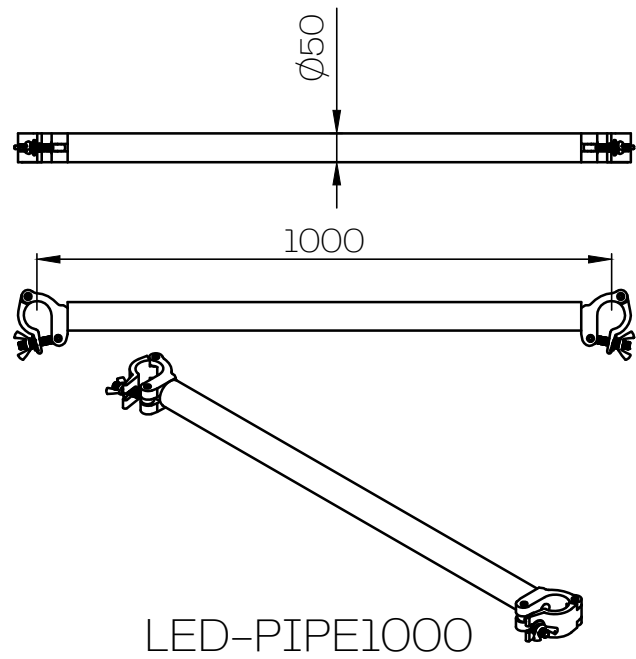
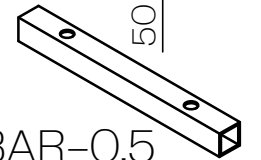
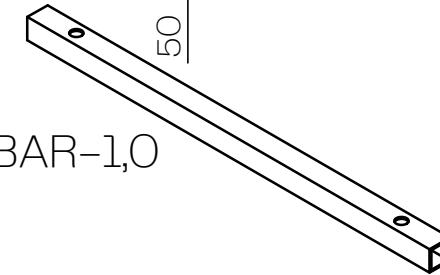
LED-SUPBASE



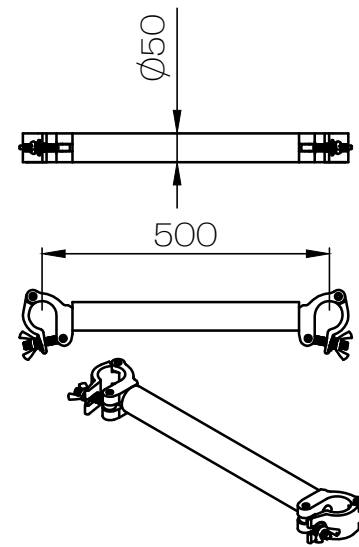
LED-CONBAR-1,0



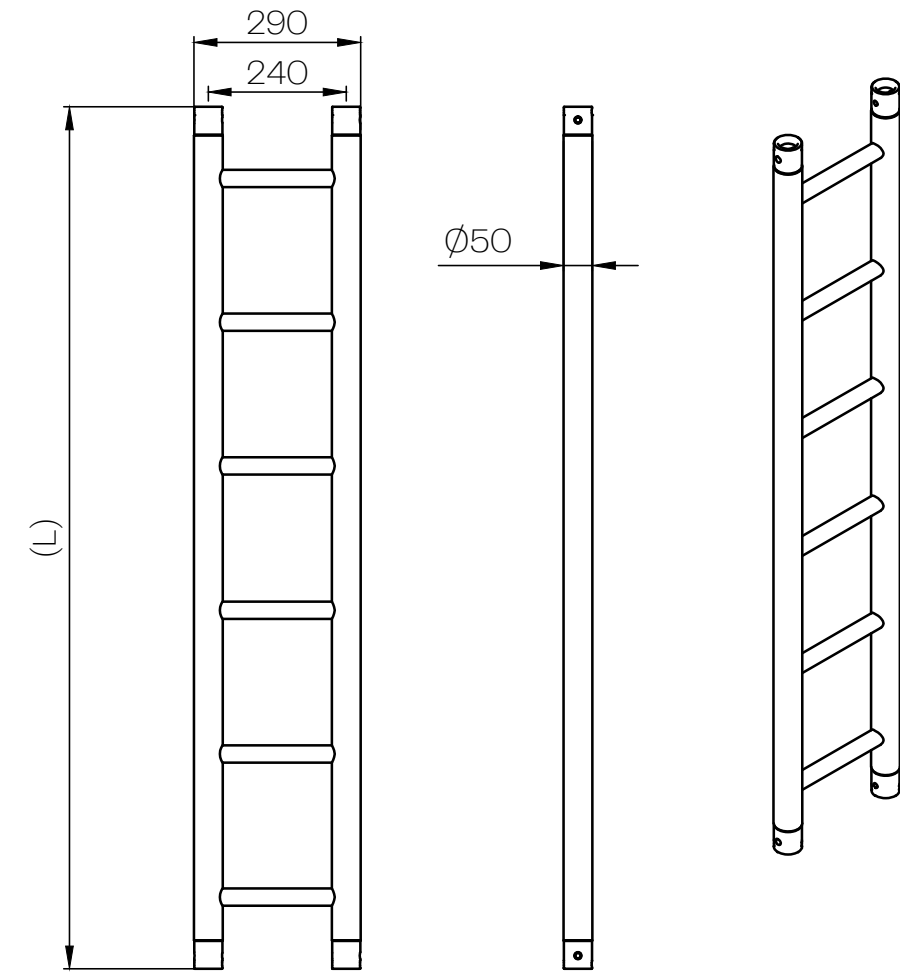
LED-CONBAR-0,5



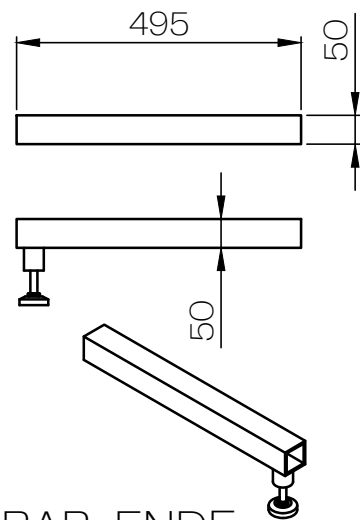
LED-PIPE1000



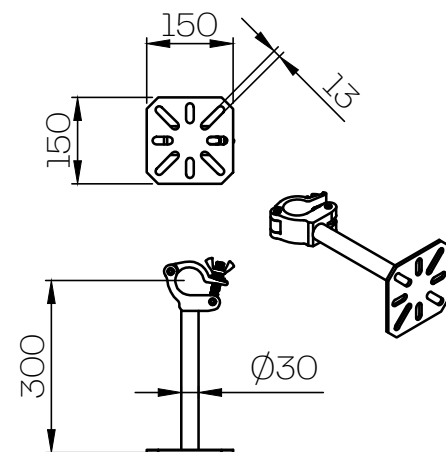
LED-PIPE500




LED-HT32-(L)



LED-CONBAR-ENDF



LED-CONPART

OBJECT	LED SUPPORT - parts	Date	
		1/2024	