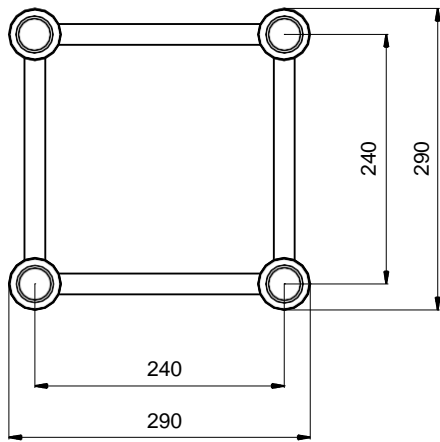
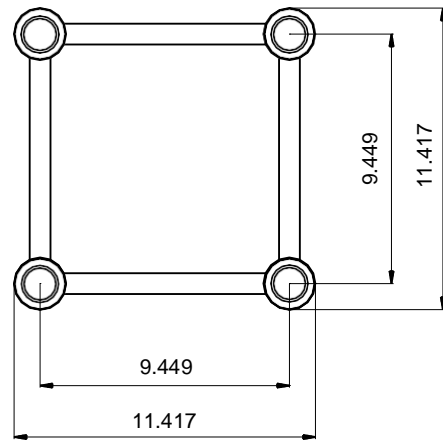


## SIZE IN MILLIMETRES



## SIZE IN INCHES



## SPECIFICATIONS

TUBES	48 mm x 3 mm (1.89 in x 0.12 in)
BRACES	16 mm x 2 mm (0.63 in x 0.08 in)
ALLOY	EN AW-6082 T6



## STRAIGHT SEGMENT LENGTHS

CODE	LENGTH		WEIGHT	
	m	ft	kg	lbs
PTH34-50	0.5	1.64	4.6	10.14
PTH34-100	1	3.28	7.66	16.90
PTH34-150	1.5	4.92	10.48	23.10
PTH34-200	2	6.56	13.38	29.50
PTH34-250	2.5	8.20	16.24	35.80
PTH34-300	3	9.84	19.10	42.11
PTH34-350	3.5	11.48	21.96	48.41
PTH34-400	4	13.12	24.82	54.72
PTH34-500	5	16.40	30.54	67.33

## LOADING TABLES

	2 m	4 m	6 m	8 m	10 m	12 m
Distrib. load [kg/m]	726	359	237	175	124	83
Deflection [mm]	0.9	7.2	24.2	57.5	101.1	144.9
Point load [kg]	1452	1436	1096	802	618	496
Deflection [mm]	1.4	11.4	29.7	52.8	82.2	118.8
	6.56 ft	13.12 ft	19.69 ft	26.24 ft	32.81 ft	39.37 ft
Distrib. load [lbs/ft]	487.8	241.2	159.3	117.6	83.3	55.8
Deflection [in]	0.04	0.3	1.0	2.3	4.0	5.7
Point load [lbs]	3,201.1	3,165.8	2,416.3	1,768.1	1,362.5	1,093.5
Deflection [in]	0.1	0.5	1.2	2.1	3.2	4.7