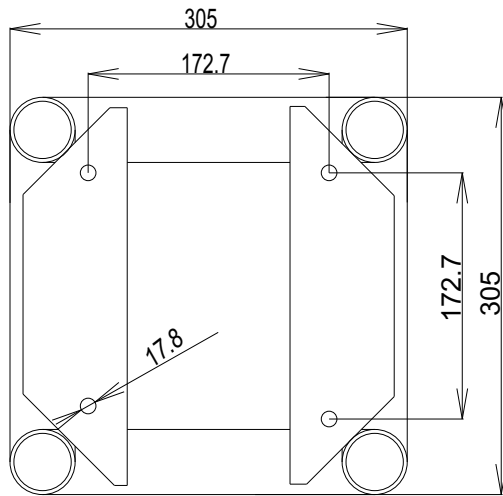
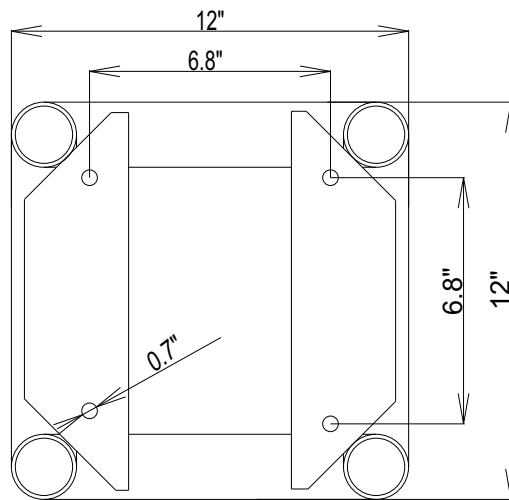


SIZE IN MILLIMETERS



SIZE IN INCHES



SPECIFICATIONS

TUBES	50x3mm (2 x 0.12inch)
BRACES	25x3mm (1 x 0.12inch)
ALLOY	EN-AW 6082 T6



STRAIGHT SEGMENT LENGTHS

CODE	LENGTH		WEIGHT	
FTB-L-5	1.524m	5.00ft	15.4kg	34.01lbs
FTB-L-8	2.438m	8.00ft	22.6kg	49.84lbs
FTB-L-10	3.048m	10.00ft	26.9kg	59.32lbs

LOADING TABLES

	1.52m	3.05m	4.57m	6.1m	7.6m	9.14m	12.2m
Distrib. Load [kg/m]	1512	605	342	187	116	77	38
Deflection [mm]	0.6	3.6	10.6	18.9	29.6	42.8	77
Point load [kg]	1149	922	782	571	442	353	234
Deflection [mm]	0.5	3.3	9.7	17.3	27.2	39.3	71.1
	5ft	10ft	15ft	20ft	25ft	30ft	40ft
Distrib. Load [lb/ft]	1016	407	230	126	78	52	26
Deflection [inch]	0.02	0.1	0.4	0.7	1.2	1.7	3
Point load [lb]	2534	2033	1724	1259	975	778	516
Deflection [inch]	0.02	0.1	0.4	0.7	1.1	1.5	2.8