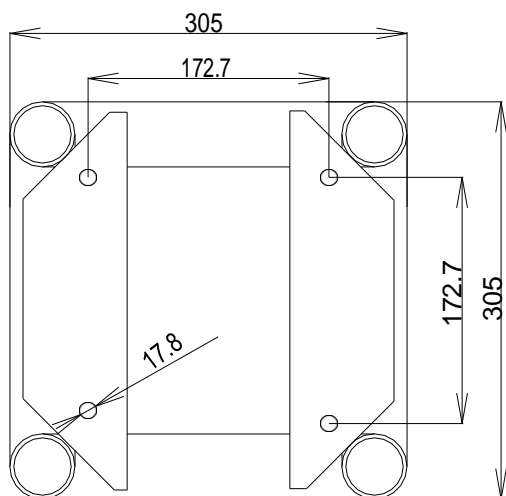
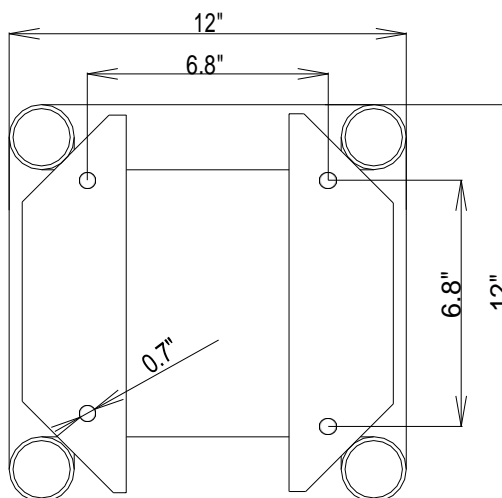


### SIZE IN MILLIMETRES



### SIZE IN INCHES



### SPECIFICATIONS

TUBES	2 in x 0.12 in (50 mm x 3 mm)
BRACES	1 in x 0.08 in (25 mm x 2 mm)
ALLOYS	EN AW-6082 and EN AW-6060 T6



### STRAIGHT SEGMENT LENGTHS

CODE	LENGTH	WEIGHT
FTB-GP-5	5.00 ft	34.63 lbs (15.71 kg)
FTB-GP-8	8.00 ft	52.00 lbs (23.59 kg)
FTB-GP-10	10.00 ft	58.39 lbs (26.49 kg)

### LOADING TABLES

	5ft	10ft	15ft	20ft	25ft	30ft	40ft
Distrib. load [lbs/ft]	589	292	192	129	80	54	28
Deflection [in]	0.01	0.10	0.33	0.70	1.10	1.59	2.85
Point load [lbs]	2946	2916	2885	2580	2010	1620	1109
Deflection [in]	0.02	0.14	0.32	0.57	0.90	1.31	2.39